

# Expo Stand Guidelines

4<sup>th</sup> July 2024



The Expo will feature teams from:

#### **Competing Teams**

- Competing – National Winners – Upper Secondary Level
- Competing – National Winners – University Level

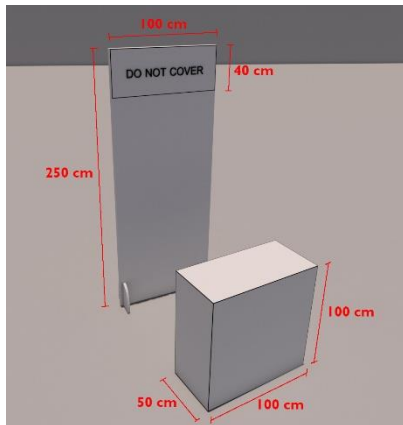
#### **Non-Competing Teams**

- Online Award Winners
- Hackathon Winning Teams

The Expo will be set up at the Monastero Dei Benedittini

## Dimensions for the Stand Expo

- Panel for student use: 210cm(height) x 100cm(width)
- 1 desk 100cm (width) x 100cm (height) x 50cm (depth)
- Surface (Floor) area 200cm x 150 cm
- No Chair
- No Additional lighting as there will be natural light from the windows
- Electric Sockets with 3 sockets (see image below)



## Floor Plan

A detailed map of the position of each stand will be provided at a later stage

## Dos and Don'ts

### What is NOT allowed

- Use something to break the stand or it's parts
- Make a hole or pierce the walls – no pins
- Cover the stand title
- Use sponge tapes (*see image on the right*)
- Hang any heavy items



### What IS allowed

- Transparent tapes, double sided tapes, blue-tags
- It is possible to use the panel to hang an object that weighs no more than 2 kg (poster, flag,.)